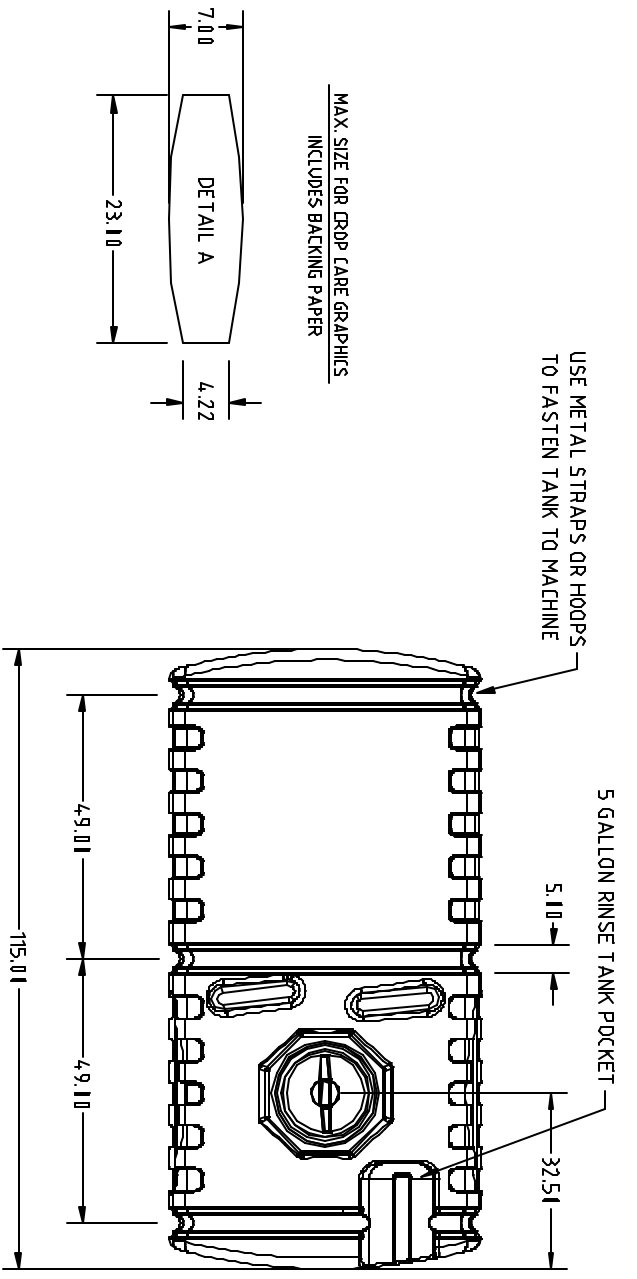
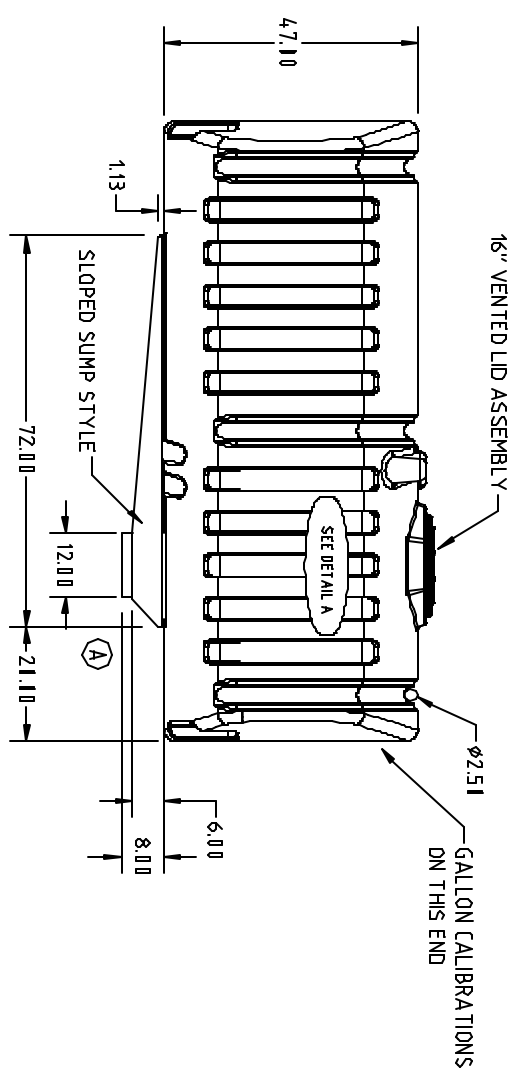
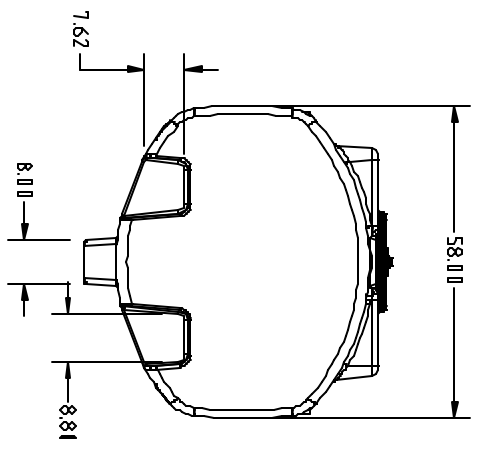
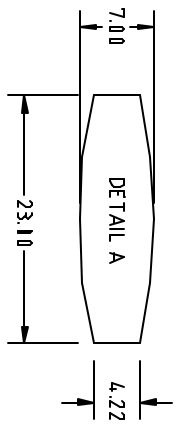


CC1000-58S

B



MAX. SIZE FOR CROP CARE GRAPHICS  
INCLUDES BACKING PAPER



		DRAWN / DATE	REH/4/12/02
B	RELEASED		10/15/02
A	REVISED SUMP		8/22/02
REV	DESCRIPTION	DATE	APPRD

MATERIAL:  
306 LB. MDPE

ACE ROTO-MOLD  
A DIVISION OF DEN HARTOG INDUSTRIES, INC.  
4010 HWY. 60 BLVD., BOX 425 HOSPER, IOWA 51238

		THIRD ANGLE PROJECTION ANSI 14.5M
		REH/4/12/02
		REH/4/12/02

NOTES:  
1. AVAILABLE IN NATURAL OR YELLOW COLOR.  
2. NOM. WALL = .320

CLIENT / DESCRIPTION  
1000 GALLON CROP CARE TANK - SLOPED SUMP

SCALE N.S.

PART NO. CC1000-58S

ALL DIMENSIONS ARE IN DECIMAL INCHES  
TOLERANCES UNLESS OTHERWISE SPECIFIED  
± 1% @ 68° F