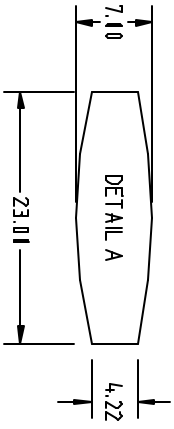


PROPRIETARY DATA

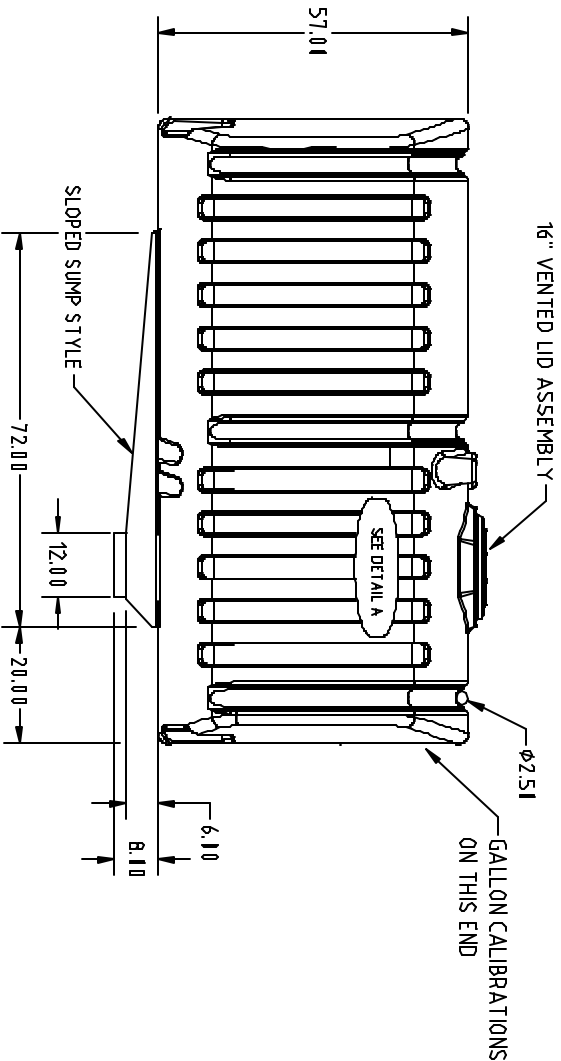
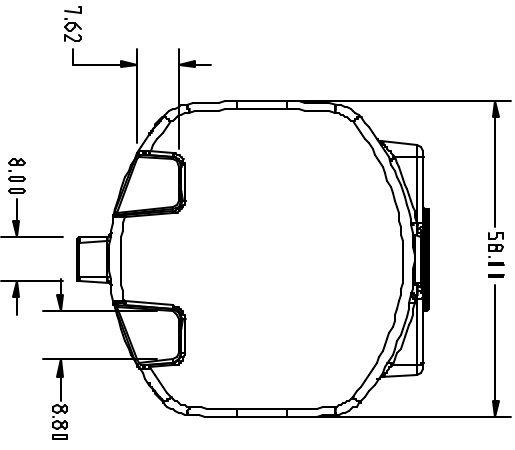
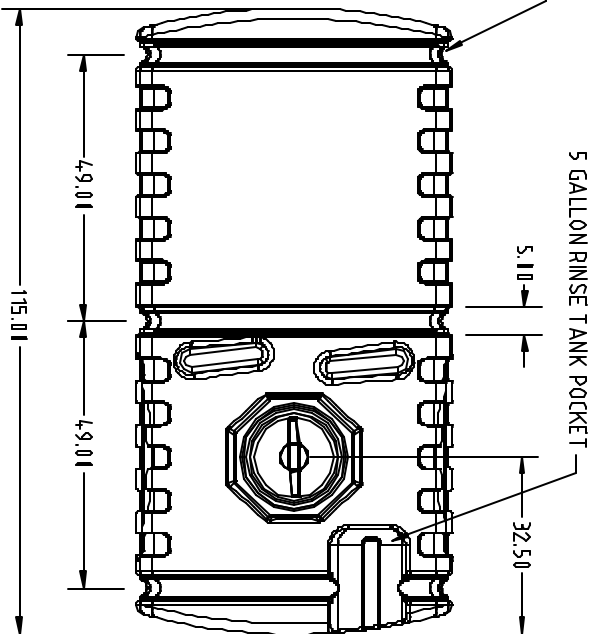
PROPERTY OF ACE PHOTO-MOLD, INC. INFORMATION FURNISHED HEREIN IS UNCLASSIFIED EXCEPT WHERE SHOWN OTHERWISE. IT IS NOT TO BE REPRODUCED, STORED, RETRIEVED, TRANSMITTED, OR OTHERWISE MADE AVAILABLE TO OTHERS OR COPIED WITHOUT THE EXPRESSED WRITTEN CONSENT OF ACE PHOTO-MOLD, INC. ALL RIGHTS RESERVED.

CC1250-58S

MAX. SIZE FOR CROP CARE GRAPHICS  
INCLUDES BAKING PAPER



USE HOOPS TO FASTEN  
TANK TO MACHINE



REV	DESCRIPTION	DATE	APPRD	DRAWN / DATE
A	RELEASED	10/15/02		REH/7/12/02
				APPRD. / DATE
				REH/7/12/02

MATERIAL:  
432 LB. MDPE

ACE PHOTO-MOLD  
A DIVISION OF DEN HARTOG INDUSTRIES, INC.  
4010 HWY. 60 BLDG. BOX 425 HOSPER, IOWA 51238

ALL DIMENSIONS ARE IN DECIMAL INCHES  
TOLERANCES UNLESS OTHERWISE SPECIFIED  
+ 1%  $\pm$  68" F

NOTES:  
1. AVAILABLE IN NATURAL OR YELLOW COLOR.  
2. NOM. WALL -.400

CLIENT / DESCRIPTION  
1250 GALLON CROP CARE TANK - SLOPED SUMP

SCALE N.S.

PART NO. CC1250-58S

