

PROPRIETARY DATA

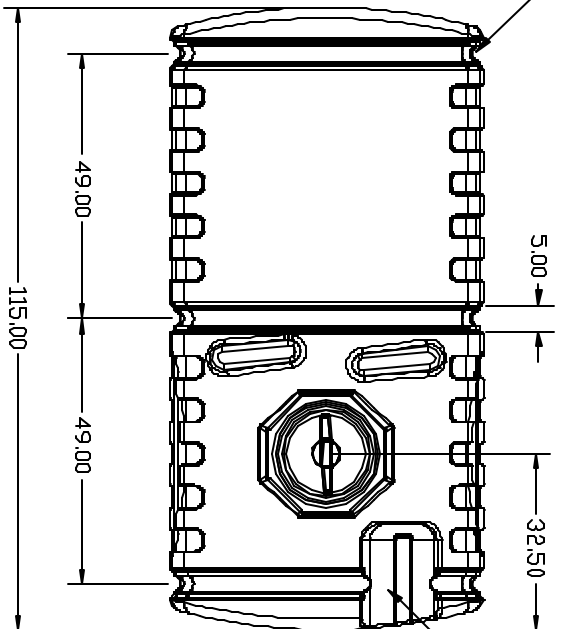
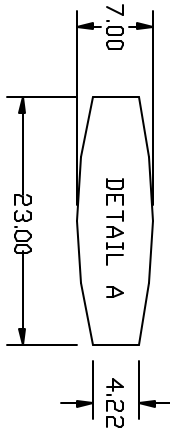
PROPERTY OF AGE PHOTO-MOLD MFG., INC. INFORMATION FURNISHED HEREIN IS THE PROPERTY OF AGE PHOTO-MOLD MFG., INC. AND SHALL NOT BE USED, REPRODUCED TO OTHERS, OR COPIED WITHOUT THE EXPRESSED WRITTEN CONSENT OF AGE PHOTO-MOLD MFG., INC. ALL RIGHTS RESERVED.

USE HOOPS TO FASTEN
TANK TO MACHINE

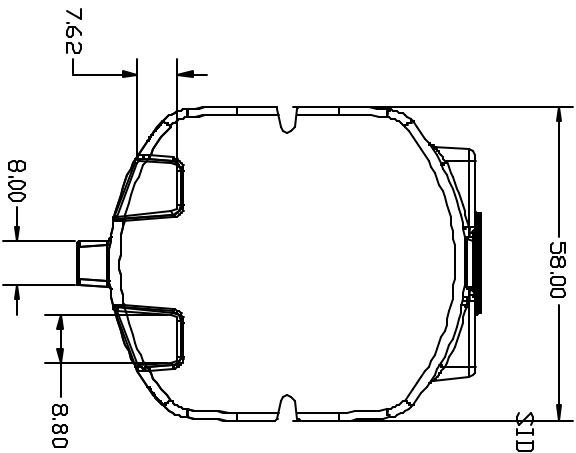
CC1500-585

A

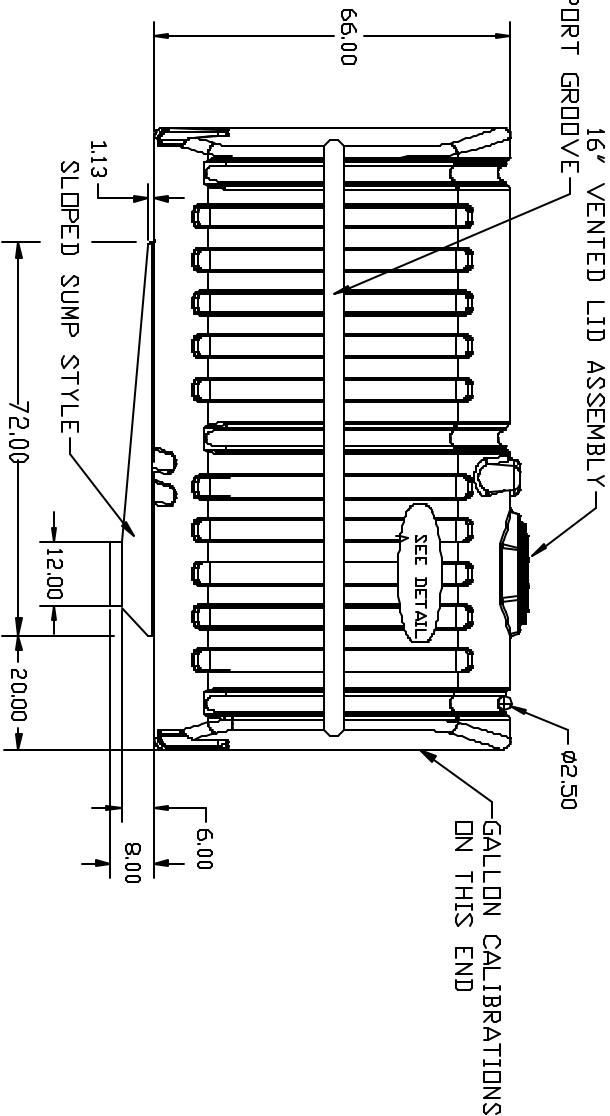
MAX. SIZE FOR CROP CARE GRAPHICS
INCLUDES BACKING PAPER



5 GALLON RINSE TANK POCKET



SIDEWALL SUPPORT GROOVE



REV	DESCRIPTION	DATE	APPRD	DRAWN / DATE	REH / DATE
A	RELEASED	1D/15/02		REH/5/30/02	
REV	DESCRIPTION	DATE	APPRD	REH/5/30/02	

MATERIAL:
483 LB. MDPE

NOTES:

- 1. AVAILABLE IN NATURAL OR YELLOW COLOR.
- 2. NOM. WALL = .425

AGE PHOTO-MOLD

A DIVISION OF DEN HARTOG INDUSTRIES, INC.
4010 HWY. 50 BLVD., BOX 425 HOESERS, IOWA 51238

CLIENT / DESCRIPTION

1500 GALLON CROP CARE TANK - SLOPED SUMP

SCALE

N.S.

PART NO.

CC1500-585

ALL DIMENSIONS ARE IN DECIMAL INCHES
TOLERANCES UNLESS OTHERWISE SPECIFIED

+ 1% @ 68° F

