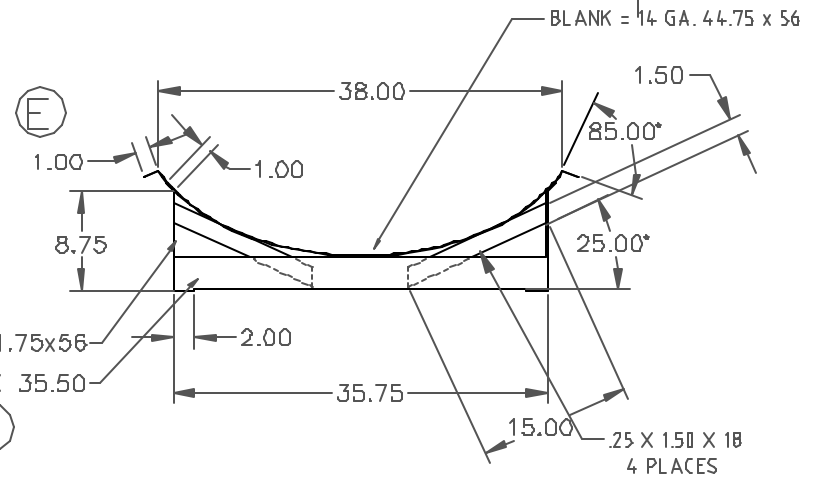
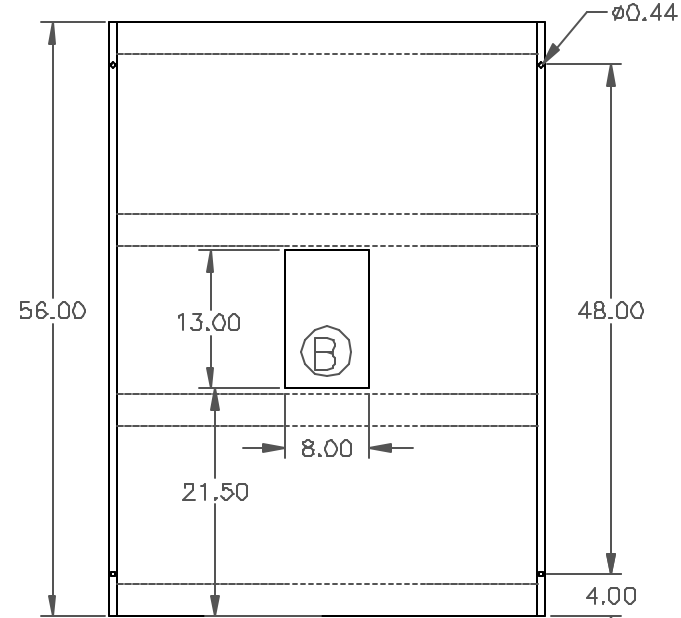
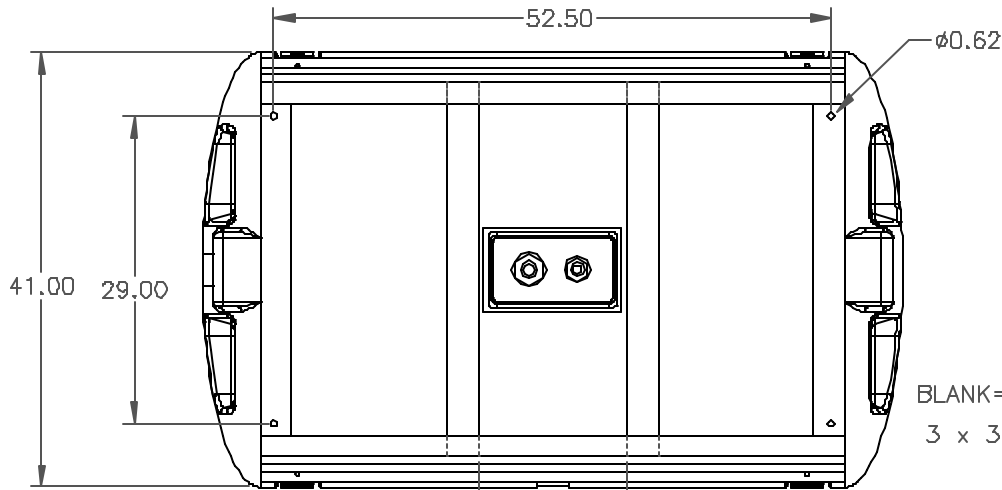
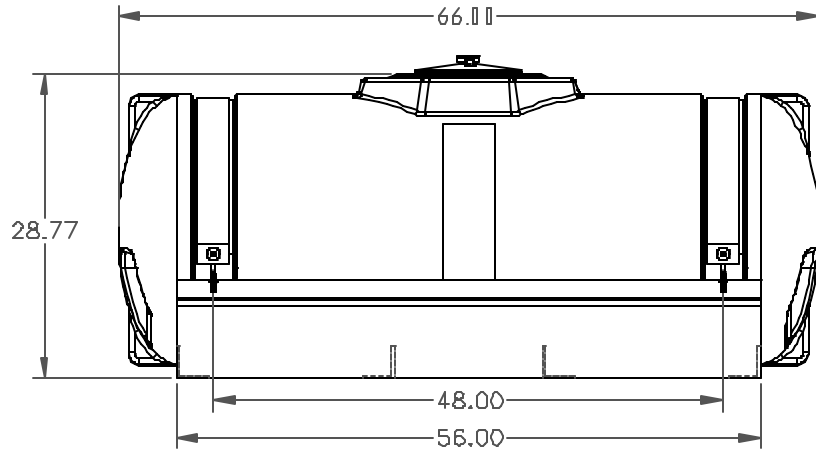


PRDPRRIETARY DATA

PROPERTY OF ACE ROTO-MOLD MFG., INC. INFORMATION FURNISHED HEREIN IS THE PROPERTY OF ACE ROTO-MOLD MFG., INC. AND SHALL NOT BE USED, DISCLOSED TO OTHERS, OR COPIED WITHOUT THE EXPRESSED WRITTEN CONSENT OF ACE ROTO-MOLD MFG., INC. ALL RIGHTS RESERVED.

HE0200-C

E



BLANK=14 GA.11.75x56
3 x 3 ANGLE X 35.50

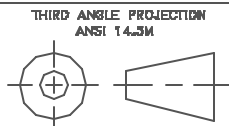
E	WAS 1.50	5/7/17 DHJ	← 14.00 →
D	REMDVE TOLERANCE	3/13/17 GWC	
C	CHANGE ANGLE LENGTH WAS 35	4/24/06	DRAWN / DATE
B	UPDATE CENTER CUTOUT DIM	1/31/06	REH/10/12/01
A	UPDATE DIM	1/31/16	APPRD. / DATE
REV	DESCRIPTION	DATE	APPRD. DHJ 5/9/07

MATERIAL / SHOT WEIGHT			
M111	M134	U625	P938



Ace Roto-Mold
A DIVISION OF DEN HARTOG INDUSTRIES, INC.
HOSPERS DRIVE S., BOX 421, HOSPERS, IOWA 51238

ALL DIMENSIONS ARE IN DECIMAL INCHES
TOLERANCES UNLESS OTHERWISE SPECIFIED



NOTES:
WEIGHT 14.0 LBS.

CLIENT / DESCRIPTION
ACE 200 GALLON ELLIPTICAL TANK
AND CRADLE ASSEMBLY

SCALE
N.S.

PART NO.
HE0200-C