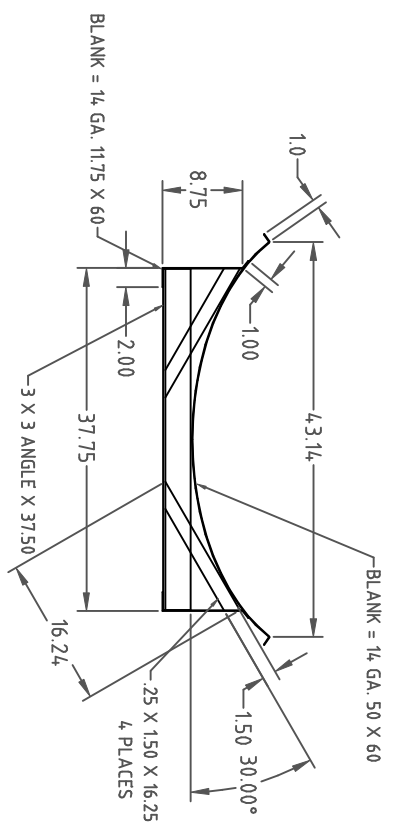
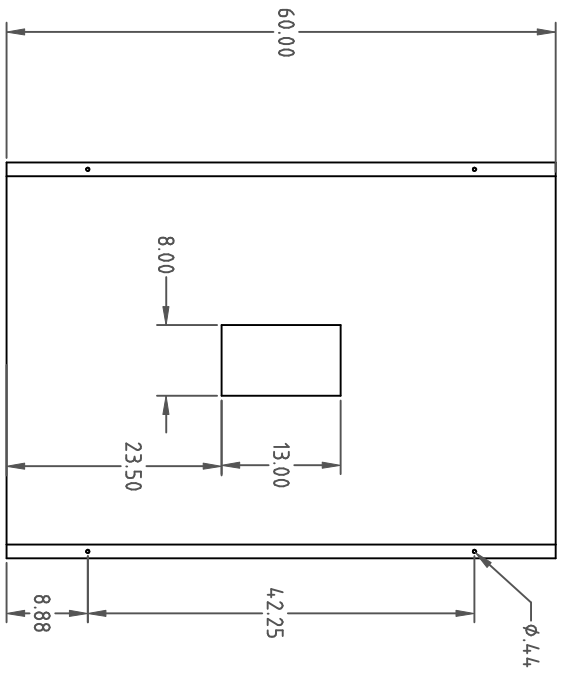
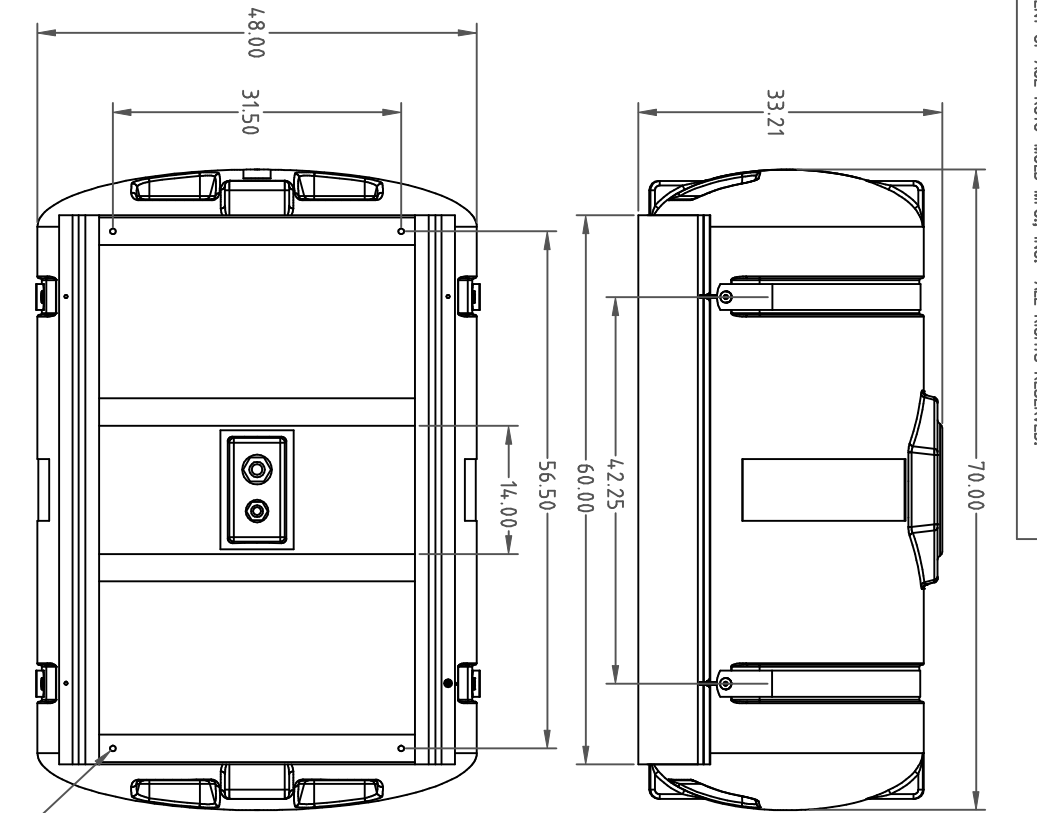


PROPRIETARY DATA

PROPERTY OF ACE ROTO-MOLD MFG., INC. INFORMATION FURNISHED HEREIN IS THE PROPERTY OF ACE ROTO-MOLD MFG., INC. AND SHALL NOT BE USED, DISCLOSED TO OTHERS, OR COPIED WITHOUT THE EXPRESSED WRITTEN CONSENT OF ACE ROTO-MOLD MFG., INC. ALL RIGHTS RESERVED.

HE0300-C

B



DRAWN / DATE		REH/8/08/01	
B	REMOVE TOLERANCE	5/13/07	GWC
A	CHANGE PART #	4/10/06	
REV	DESCRIPTION	DATE	APPRD
APPRD. / DATE		REH/8/08/01	
THIRD ANGLE PROJECTION ANSI 14.5M			
MATERIAL	SHOT WEIGHT		
M111	M134	U625	P938

ACE ROTO-MOLD
 A DIVISION OF DEN HARTOG INDUSTRIES, INC.
 4018 HWY. 60 BLVD., BOX 421, HOSPERS, IOWA 51238

CLIENT / DESCRIPTION
 ACE 300 GALLON ELLIPTICAL TANK
 SKID ASSEMBLY AND PARTS LIST

SCALE N.S. PART NO. HE0300-C

ALL DIMENSIONS ARE IN DECIMAL INCHES
 TOLERANCES UNLESS OTHERWISE SPECIFIED