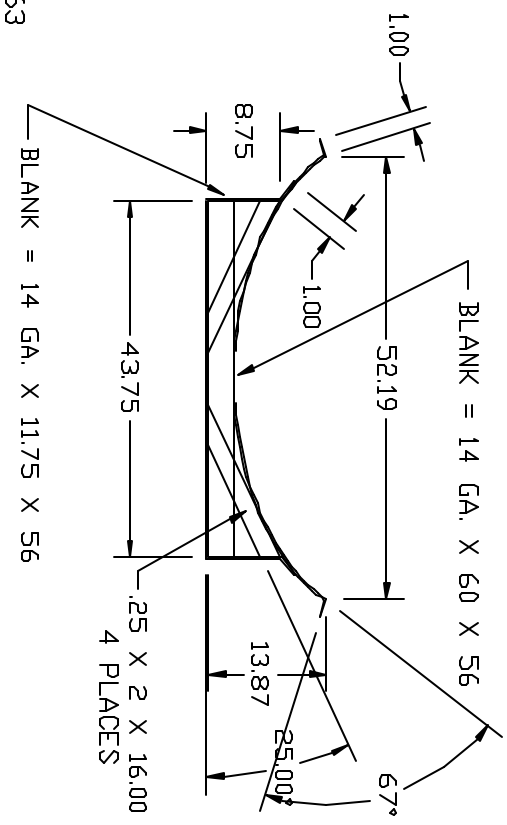
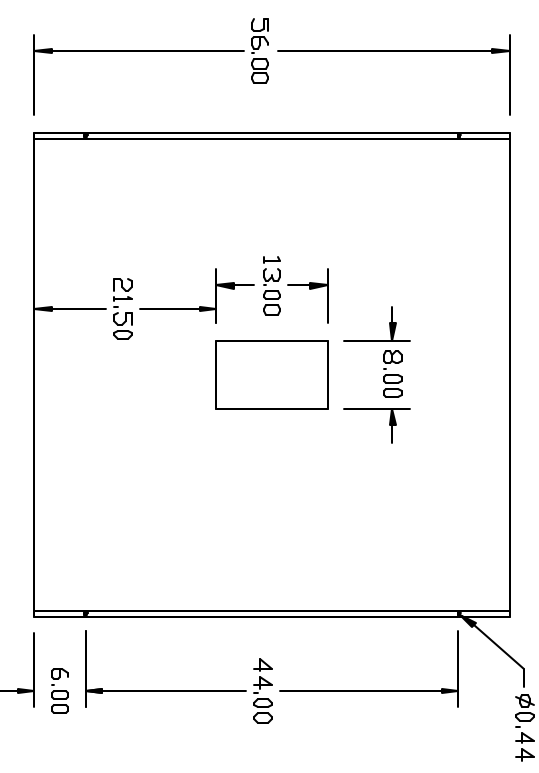
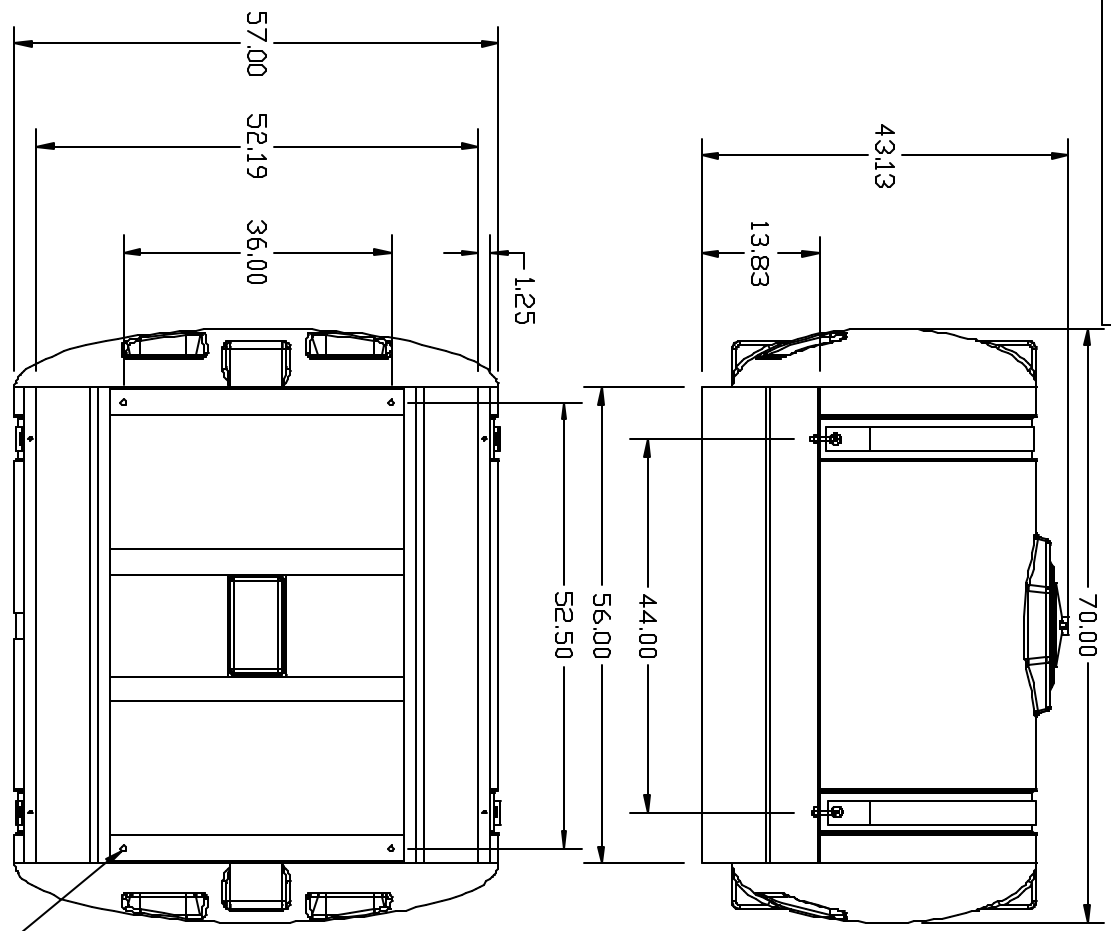


PROPRIETARY DATA

HE0400-C

B

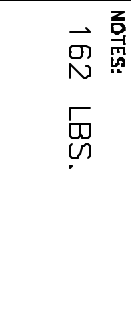


REV	DESCRIPTION	DATE	APPRD
A	CHANGE PART #	3/30/06	
A	CHANGE WIDTH OF BASE	4/15/04	

DRAWN / DATE		MATERIAL / SHOT WEIGHT	
REH	10/04/01	M111	M134
APPRD.		U625	P938
REH	10/04/01	NOTES: 162 LBS.	

THIRD ANGLE PROJECTION
 ACE Roto-Mold
 A DIVISION OF DEN HARTOG INDUSTRIES, INC.
 4018 HWY. 80 BLVD., BOX 421, HOSPER, IOWA 51238

ALL DIMENSIONS ARE IN DECIMAL INCHES
 TOLERANCES UNLESS OTHERWISE SPECIFIED
 + .5% @ 68° F



CLIENT / DESCRIPTION
 ACE 400 GALLON ELLIPTICAL TANK
 SKID ASSEMBLY AND PARTS LIST
 SCALE N.S.
 PART NO. HE0400-C