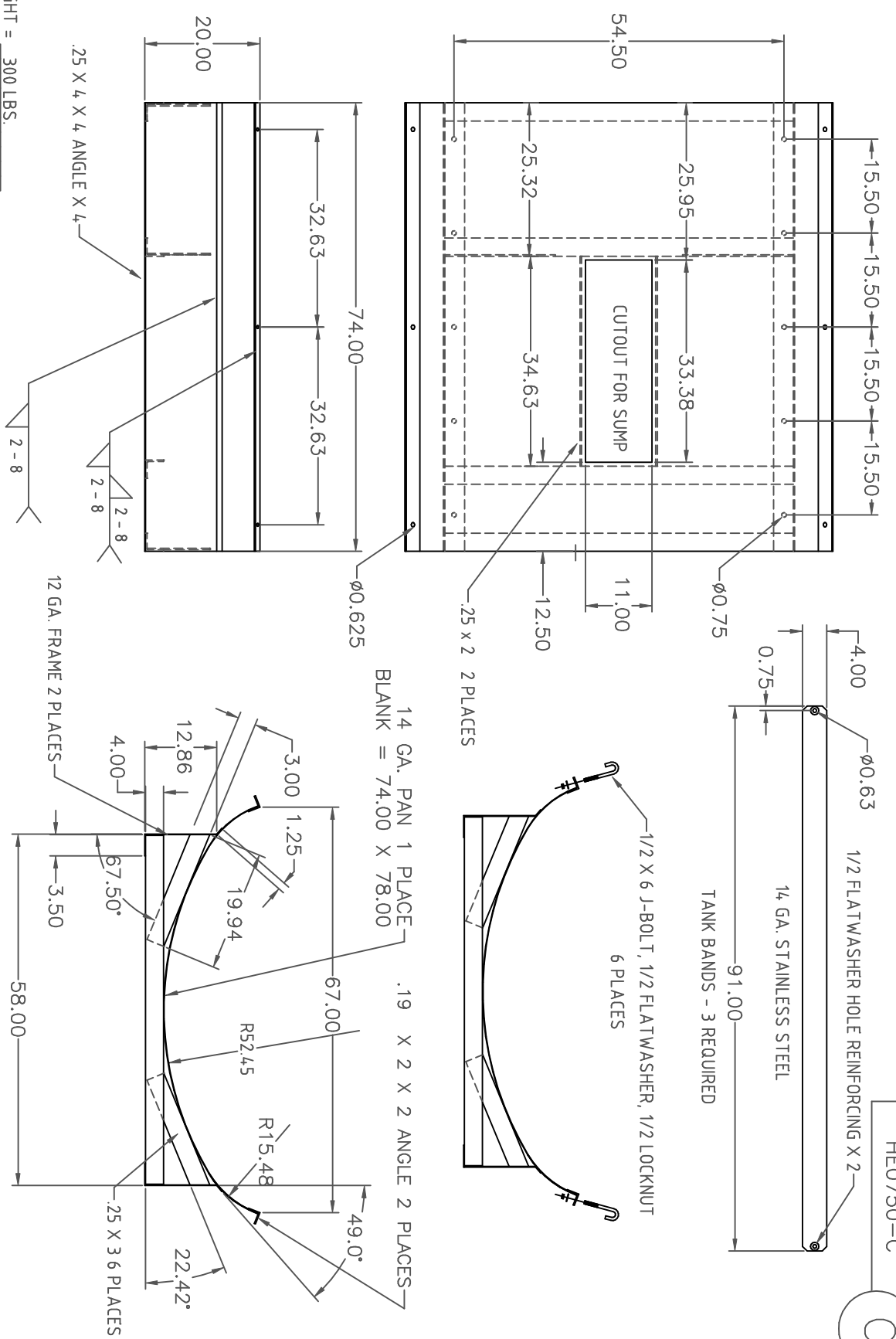


HE0750-C

C



SKID WEIGHT = 300 LBS.

C	TOLERANCE WAS .5% @ 68°F	3/8/07	GWC
B	ENLARGE SUMP CUTOUT	1/5/06	
A	ENLARGE SUMP CUTOUT	5/23/05	
REV	DESCRIPTION	DATE	APPRD

DRAWN / DATE		REH/2/7/02	
APPRD. / DATE		REH/2/7/02	
THIRD ANGLE PROJECTION ANSI 14.5M			

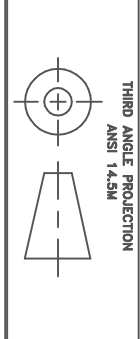
MATERIAL	MILD STEEL
NOTES:	1. FINISH BLACK POWDER COAT


Ace Roto-Mold
 A DIVISION OF DEN HARTOG INDUSTRIES, INC.
 4018 HWY. 60 BLVD., BOX 421, HOSPERS, IOWA 51238

CLIENT / DESCRIPTION
 ACE 750 GALLON ELLIPTICAL TANK SKID WELDMENT

SCALE N.S. PART NO. HE0750-C

ALL DIMENSIONS ARE IN DECIMAL INCHES
 TOLERANCES UNLESS OTHERWISE SPECIFIED
 DECIMAL +/- .125"
 FRACTION +/- 1/4"
 ANGLE +/- 1°



NOTES:
 1. FINISH BLACK POWDER COAT

CLIENT / DESCRIPTION
 ACE 750 GALLON ELLIPTICAL TANK SKID WELDMENT

SCALE N.S. PART NO. HE0750-C