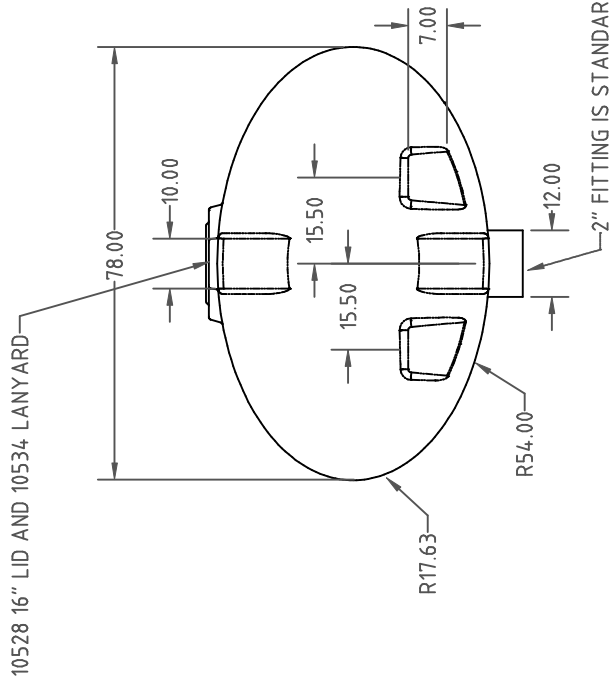
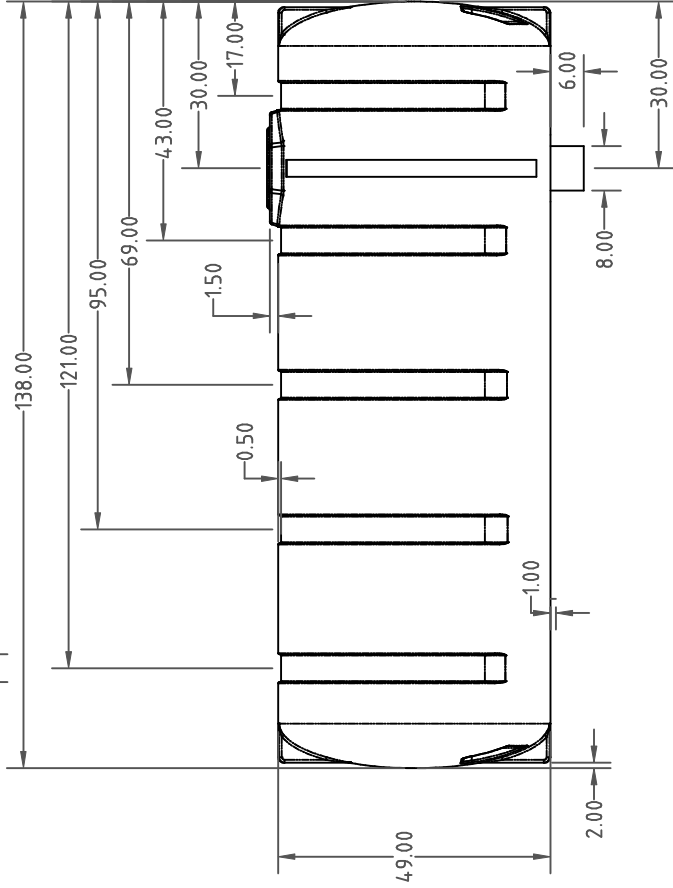
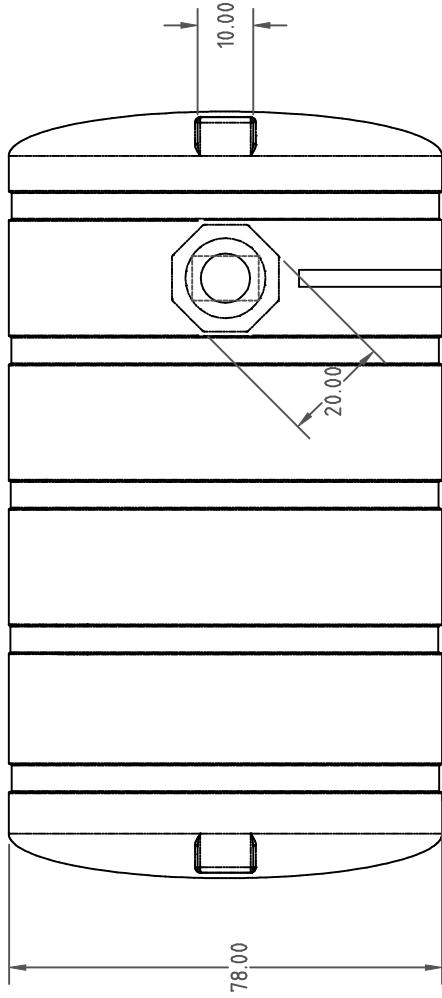

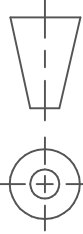


HED1600-78

**PROPRIETARY DATA**

PROPERTY OF ACE ROTO-MOLD MFG., INC. INFORMATION FURNISHED HEREIN IS THE PROPERTY OF ACE ROTO-MOLD MFG., INC. AND SHALL NOT BE USED, DISCLOSED TO OTHERS, OR COPIED WITHOUT THE EXPRESSED WRITTEN CONSENT OF ACE ROTO-MOLD MFG., INC. ALL RIGHTS RESERVED.



 <b>ACE ROTO-MOLD</b> A DIVISION OF DEN HARTOG INDUSTRIES, INC. 4018 HWY. 60 BLVD., BOX 421, HOSPERS, IOWA 51238		MATERIAL / SHOT WEIGHT M111 M134 U625 P938 439	
		CLIENT / DESCRIPTION 1600 GALLON ELLIPTICAL TANK WITH 6 INCH SUMP	
SCALE <b>N.S.</b>		PART NO. HED1600-78	
NOTES: 1. .335 NOMINAL WALL		THIRD ANGLE PROJECTION ANSI 14.5M 	
ALL DIMENSIONS ARE IN DECIMAL INCHES TOLERANCES UNLESS OTHERWISE SPECIFIED + 1% @ 68° F -		DRAWN / DATE REH/8/16/04 APPRD. / DATE DHJ/8/10/07	
REV	DESCRIPTION	DATE	APPRD