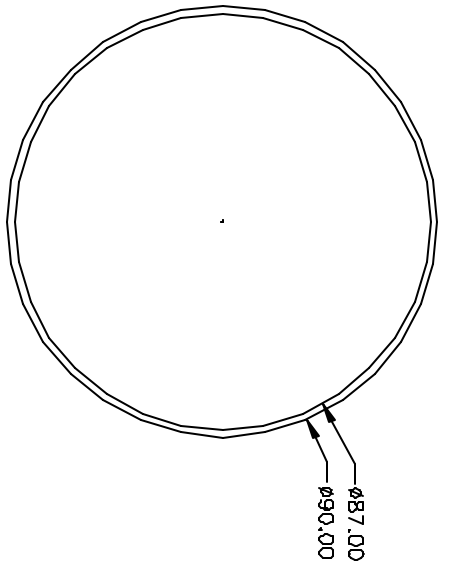


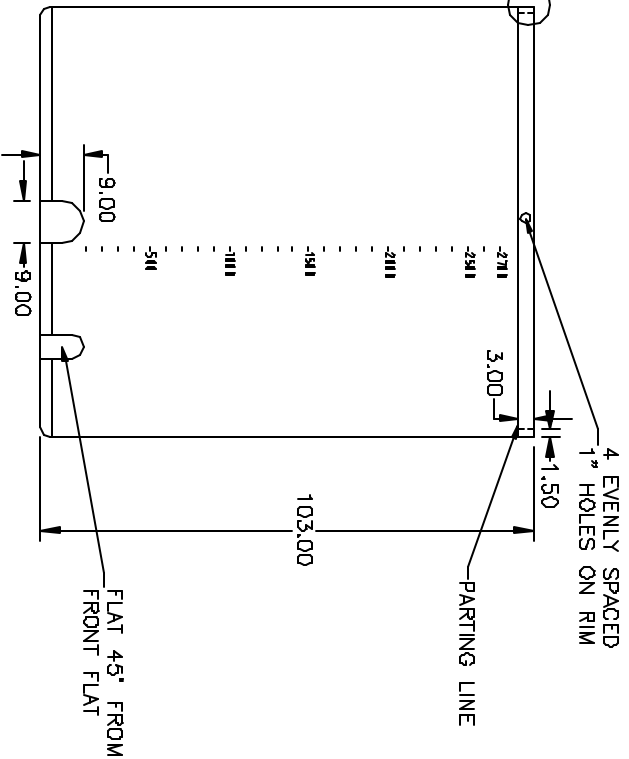
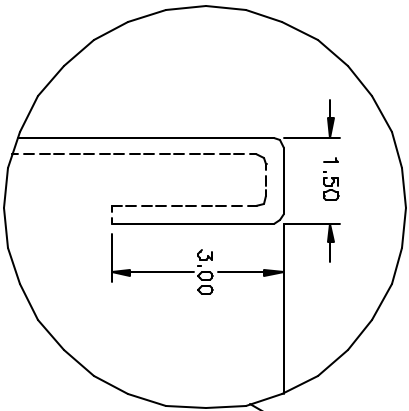
PROPRIETARY DATA

PROPERTY OF ACE ROTO-MOLD MFG. INC. INFORMATION FURNISHED HEREIN IS THE PROPERTY OF ACE ROTO-MOLD MFG. INC. AND SHALL NOT BE USED, DISCLOSED TO OTHERS, OR COPIED WITHOUT THE EXPRESSED WRITTEN CONSENT OF ACE ROTO-MOLD MFG. INC. ALL RIGHTS RESERVED.

OP2700-90



DETAIL OF RIM



REV	DESCRIPTION	DATE	APPRD

DRAWN / DATE	NVE 6/13/15
APPRD. / DATE	DHJ 6/22/15

MATERIAL	HDPB OR EQUIVALENT REFER TO MATERIAL DATA SHEET FOR SPECIFIC PROPERTIES.
----------	--

CLIENT / DESCRIPTION	2700 GALLON OPEN TOP TANK
----------------------	---------------------------

ALL DIMENSIONS ARE IN DECIMAL INCHES TOLERANCES UNLESS OTHERWISE SPECIFIED	
---	--

THIRD ANGLE PROJECTION ANSI X3.1	
-------------------------------------	--

NOTES:	1. .490 WALL THICKNESS AT FLAT 2. WHITE OR COLDR 3. SHOT WEIGHT 4.81 LBS.
--------	---

SCALE	N.S.
PART NO.	OP2700-90

