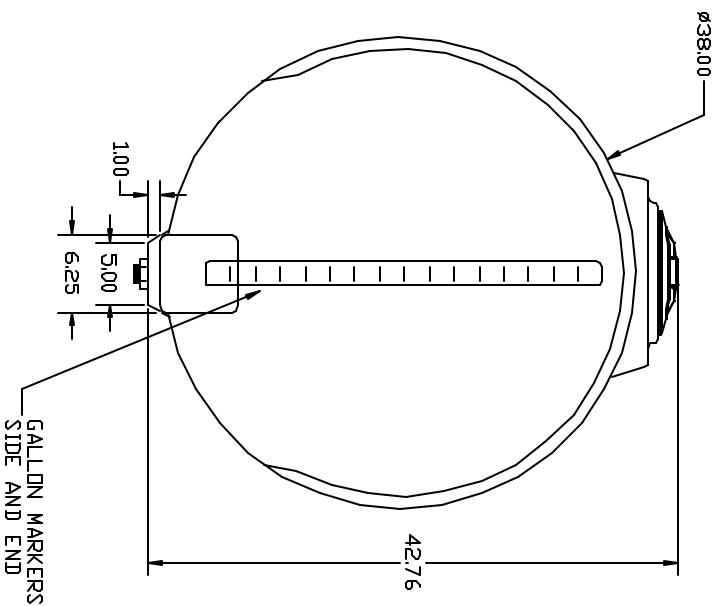
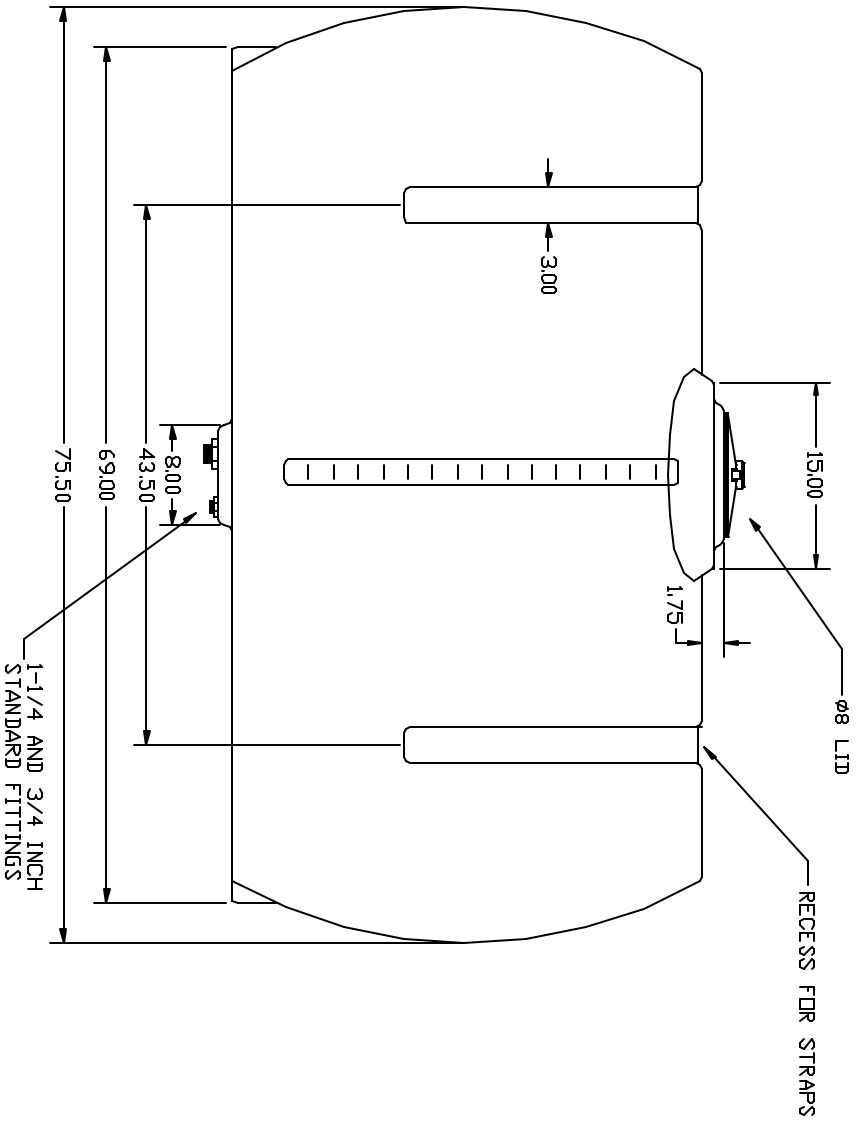


PROPRIETARY DATA

PROPERTY OF ACE ROTOMOLD MFG. INC. INFORMATION FURNISHED HEREIN IS THE PROPERTY OF ACE ROTOMOLD MFG. INC. AND SHALL NOT BE USED, DISCLOSED TO OTHERS, OR COPIED WITHOUT THE EXPRESSED WRITTEN CONSENT OF ACE ROTOMOLD MFG. INC. ALL RIGHTS RESERVED.

HZ0300-38



REV	DESCRIPTION	DATE	APPRD	DRAWN / DATE	MATERIAL
				NVE 6/6/15	
				APPRD. / DATE DHJ 6/21/15	
				THIRD ANGLE PROJECTION ANSI X3.1	

<p>HOPE OR EQUIVALENT REPRODUCE MATERIAL DATA SHEET FOR SPECIFIC PROPERTIES.</p>		<p>NOTES: 1. NOM. WALL @ XXXXX 2. WHITE OR COLDR 3. SHOT WEIGHT 88 LBS.</p>	
<p>CLIENT / DESCRIPTION</p>		<p>3100 GALLON HORIZONTAL TANK</p>	



ALL DIMENSIONS ARE IN DECIMAL INCHES
TOLERANCES UNLESS OTHERWISE SPECIFIED
+ 1% @ 68° F

SCALE	N.S.	PART NO.	HZ0300-38
-------	------	----------	-----------