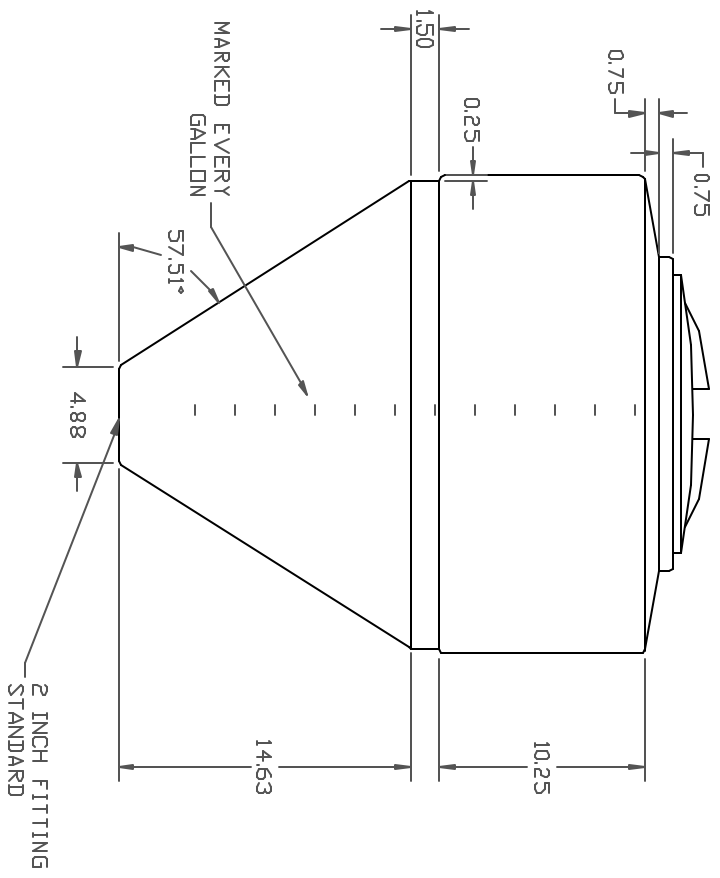
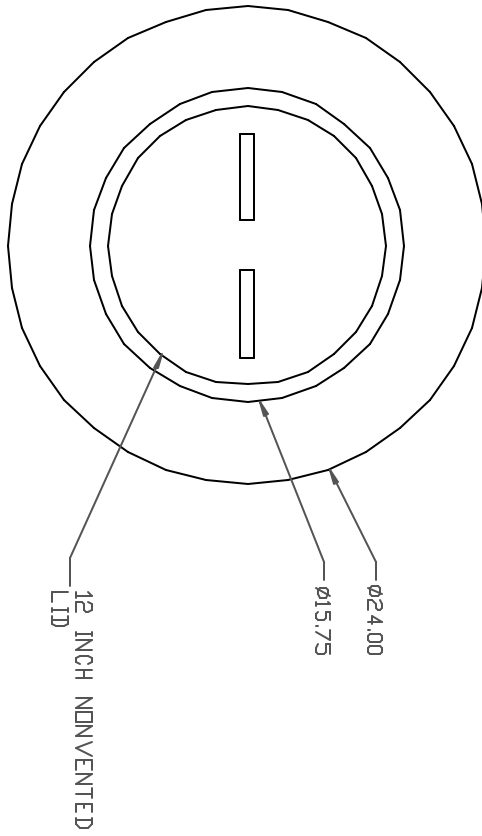


PROPERTY OF ACE ROTO-MOLD MFG. INC. INFORMATION FURNISHED HEREON IS THE PROPERTY OF ACE ROTO-MOLD MFG. INC. AND SHALL NOT BE USED, DISCLOSED TO OTHERS, OR COPIED WITHOUT THE EXPRESS WRITTEN CONSENT OF ACE ROTO-MOLD MFG. INC. ALL RIGHTS RESERVED.



REV		DESCRIPTION	DATE	APPRO	DRAWN / DATE	DHL 4/19/15	MATERIAL	HOPE OR EQUIVALENT REFERENCE MATERIAL DATA SHEET FOR SPECIFIC PROPERTIES.	NOTES:	CLIENT / DESCRIPTION	SCALE	PART NO.
A		NEW FILE FORMAT	2/7/16	NVE	APPRO / DATE				1. 22 NOM. WALL 2. SHOT WEIGHT 15 LBS.	ACE ROTO-MOLD A DIVISION OF DEN HARTOG INDUSTRIES, INC. 4.118 HWY. 60 BLVD., BOX 421, HOSPERS, INVA 51238	N.S.	IN0030-24
REV		DESCRIPTION	DATE	APPRO	THIRD ANGLE PROJECTION ANSI B18.1					30 GALLON INDUCTOR TANK		

ALL DIMENSIONS ARE IN DECIMAL INCHES
TOLERANCES UNLESS OTHERWISE SPECIFIED

+ .04 @ 68° F