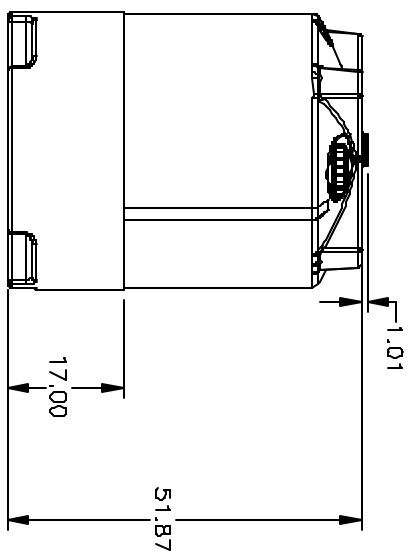
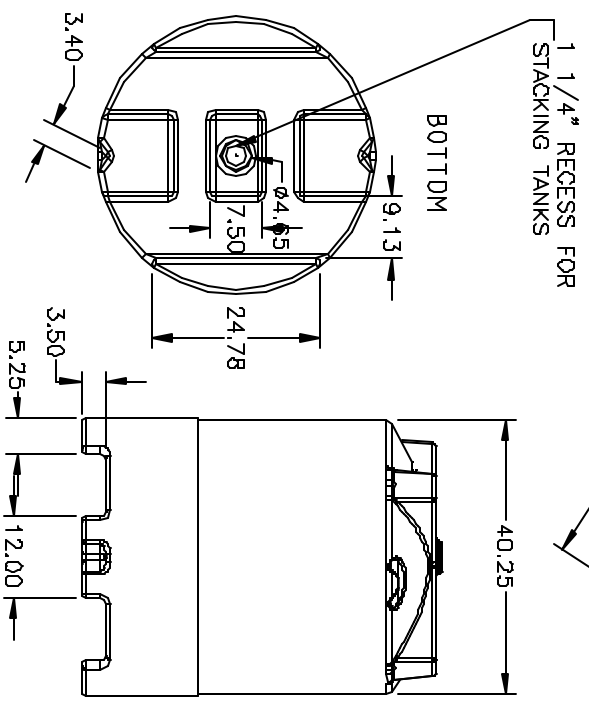
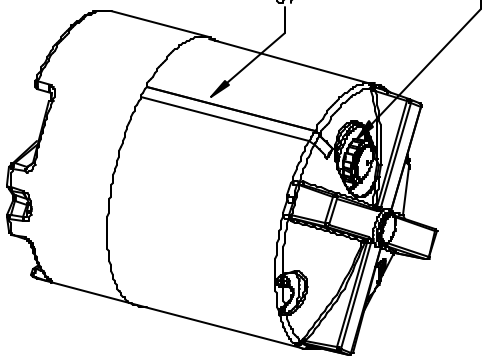
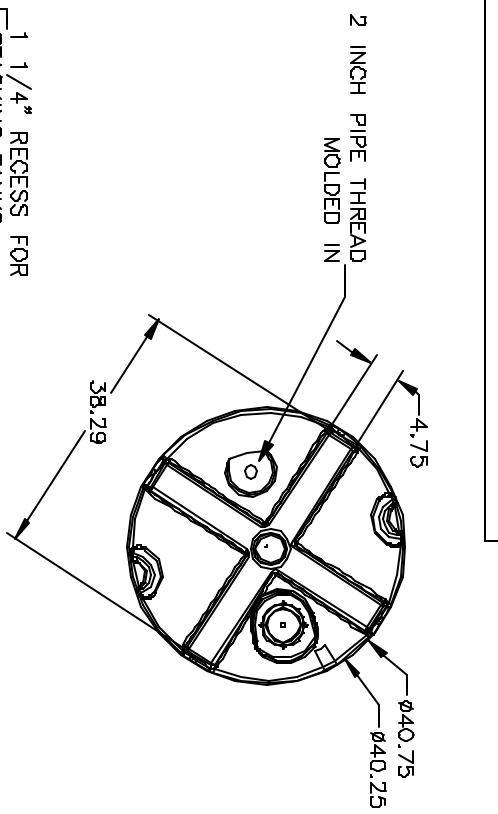


PROPRIETARY DATA

PROPERTY OF ACE ROTO-MOLD MFG., INC. INFORMATION FURNISHED HEREIN IS THE PROPERTY OF ACE ROTO-MOLD MFG., INC. AND SHALL NOT BE USED, DISCLOSED TO OTHERS, OR COPIED WITHOUT THE EXPRESSED WRITTEN CONSENT OF ACE ROTO-MOLD MFG., INC. ALL RIGHTS RESERVED.

VT0210-PP



| | | | | | |
|-----|-------------|------|-------|--------------|---------------|
| REV | DESCRIPTION | DATE | APPRO | DRAWN / DATE | APPRO. / DATE |
| | | | | NVE 6/28/15 | DHL 9/21/15 |

MATERIAL

HDP OR EQUIVALENT
REFERENCE MATERIAL DATA SHEET
FOR SPECIFIC PROPERTIES.

NOTES:

1. WEIGHT 82 LBS.

CLIENT / DESCRIPTION

210 GALLON PALLET & TANK



SCALE

N.S.

PART NO.

VT0210-PP

ALL DIMENSIONS ARE IN DECIMAL INCHES
TOLERANCES UNLESS OTHERWISE SPECIFIED
± 1% @ 68° F

