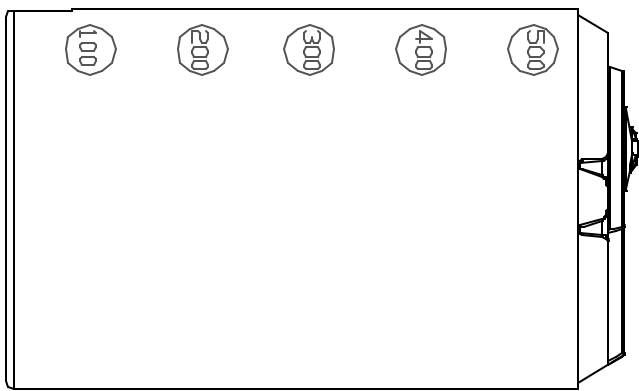
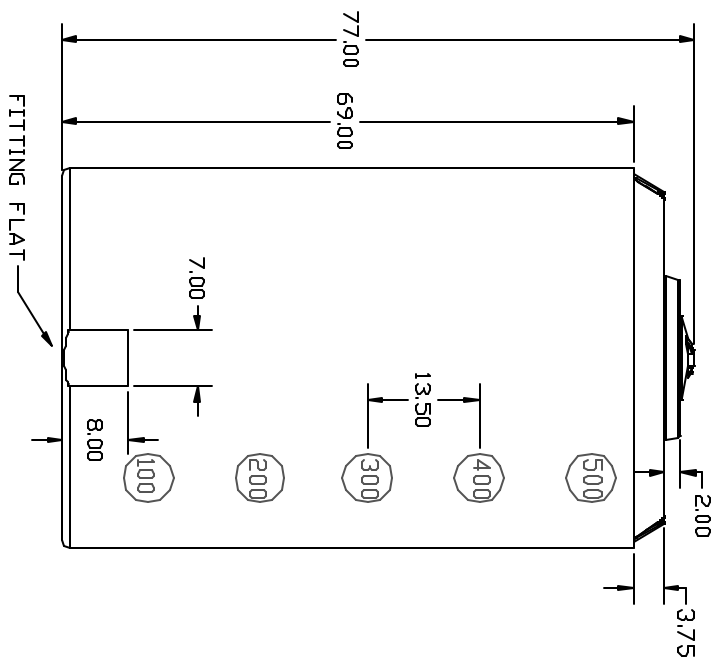
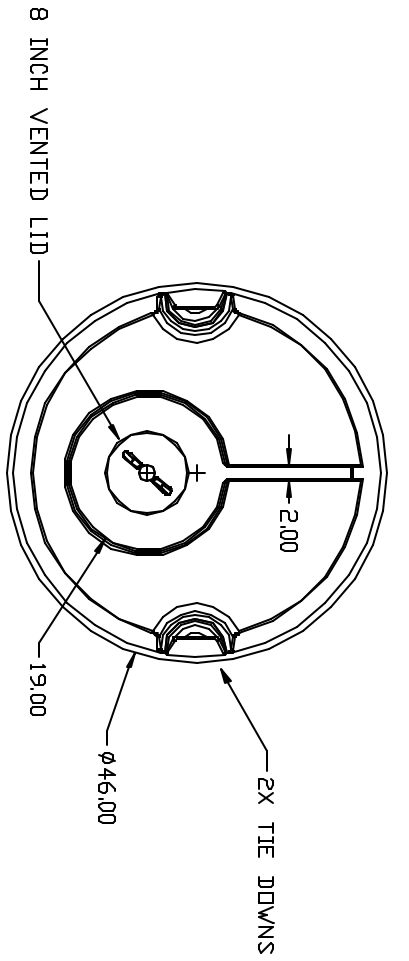
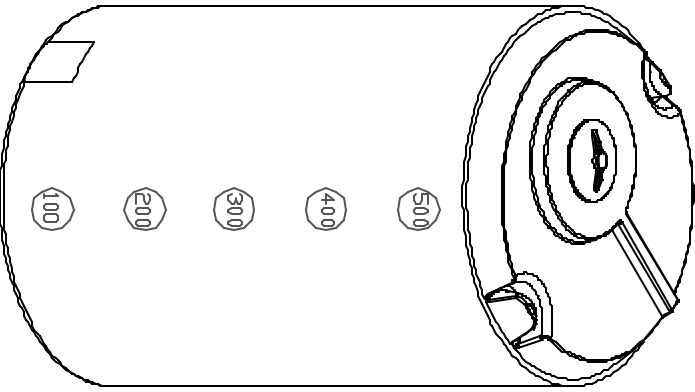


PROPRIETARY DATA

PROPERTY OF ACE ROTO-MOLD MFG. INC. INFORMATION FURNISHED HEREIN IS THE PROPERTY OF ACE ROTO-MOLD MFG. INC. AND SHALL NOT BE USED, DISCLOSED TO OTHERS, OR REPRODUCED WITHOUT THE EXPRESSED WRITTEN CONSENT OF ACE ROTO-MOLD MFG. INC. ALL RIGHTS RESERVED.

1. SPECIFIC GRAVITY IS 1.75
2. 1PIECE ROTATIONALLY MOLDED
3. TRANSLUCENT
4. FDA APPROVED RESIN
5. CALIBRATED IN GALLONS
6. THREE YEAR WARRANTY
7. UV STABILIZED
8. LARGER LID AVAILABLE



REV	DESCRIPTION	DATE	APPRD

DRAWN / DATE	NVE 8/19/15
APPRD. / DATE	DHJ 9/21/15

MATERIAL	HDPB OR EQUIVALENT REPRODUCE MATERIAL DATA SHEET FOR SPECIFIC PROPERTIES.
NOTES:	1. BLUE, GREEN, YELLOW, BLACK, OR WHITE COLOR 2. SHOT WEIGHT 118 LBS. 3. NOM. WALL @ .248

THIRD ANGLE PROJECTION ASME Y14.3M	
---------------------------------------	--

SCALE	N.S.
-------	------

CLIENT / DESCRIPTION	500 GALLON Ø46" VERTICAL TANK
PART NO.	VT0500-46



ALL DIMENSIONS ARE IN DECIMAL INCHES
TOLERANCES UNLESS OTHERWISE SPECIFIED
+ 1% @ 68° F

VT0500-46